

CERTUSS

Steam Generators



Universal SC
 Steam Output
 700-1800 kg/h

Further Available Products

CERTUSS Steam Generators Junior Range

Construction Group	Capacities Steam kg/h	Firing
1	80 - 120	oil or gas
2	150 - 200	
3	250 - 400	
4	500 - 600	oil, gas or combination

CERTUSS Steam Generators Electrical Range

Type	Capacities steam kg/h	Heating
E 6 - 72	8 - 97	electrical
E 100	135 - 160	

CERTUSS PARCOVAP® Condensate Heat Recovery

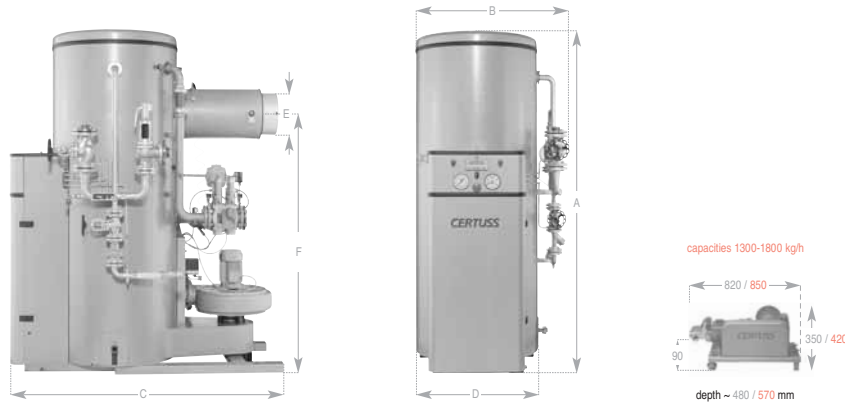


CERTUSS CVE Package plant unit



CERTUSS Plants for Water Treatment





Design Advantages

- space saving
- installation without foundation support
- robust steel fabrication
- patented uninsulated air cooled, double cover
- air intake from the top creating good air circulations within the boiler-house
- integrated, low emission CERTUSS burner system
- noise and vibration reduction, anti-vibration mountings
- economical fast energy transfer reducing radiation losses
- vertical expansion free centrally suspended heat exchanger with low position blowdown
- replaceable evaporation section
- easy and quick cleaning of the heat exchanger, without removal
- operation without supervision
- full or partial installation on request
- exemplary customer service and spare parts availability

Technical Data

Construction Group	Capacities			Stages	Pressures		Consumption			Measurements (~ mm)						Weight kg	Connections					
	steam output kg/h	heat output kW	heat input kW		working max. pressure MPa (bar)	admissible max. pressure MPa (bar)	oil (EL) kg/h	natural gas m³/h	liquid gas m³/h	height A	width B	depth C	steam generator Ø D	flue gas tube Ø E	flue gas (center) F		electrical connection kW	oil connection DN	natural gas DN	liquid gas DN	feed water connection DN	steam connection DN
5	700	459	510	2	0.8-1.4-2.2-2.9 (8-14-22-29)	1.0-1.6-2.5-3.2 (10-16-25-32)	42.9	50.9	19.7	2290	1070	1835	870	300	1750	1100	6,8	3/8"	65	40	1 1/4"	50
	850	557	619				52.1	61.8	24.0													
6	1000	656	728	2	0.8-1.4-2.2-2.9 (8-14-22-29)	1.0-1.6-2.5-3.2 (10-16-25-32)	61.3	72.7	28.2	2535	1210	2020	1000	350	1940	1500	9,2	3/8"	65	40	1 1/4"	50
	1300	853	947				79.8	94.6	36.7													
7	1500	984	1093	2	0.8-1.4-2.2-2.9 (8-14-22-29)	1.0-1.6-2.5-3.2 (10-16-25-32)	92.0	109.1	42.3	2675	1350	2300	1100	500	2025	2300	13,2	1/2"	80	50	1 1/4"	65
	1800	1180	1311				110.4	130.9	50.8													

Reference values: Natural gas at 10 kW/Nm³ - 8600 kcal/Nm³, liquid gas at 25.8 kW/Nm³ - 22200 kcal/Nm³.
 Measurements and weights are rounded up or off. MPa and bar are overpressure values.
 For positioning purposes lateral fittings are detachable. **Delivery complete with water pump.**
 Output values stated are related to 100° C feed water temperature with 1 MPa (10 bar) steam overpressure.
 CERTUSS construction groups 5 - 7 also available with combination burner oil / natural gas.
 CERTUSS burner with flue gas return (NO_x reduction) optional.

Rights reserved for technical alterations.

CERTUSS steam generators oil/gas, single or in combination meet all requirements within seven construction groups

Junior range 80 - 600 kg/h and electrical 8 - 160 kg/h
 Please ask for brochure

1 MPa (10 bar) = 145 psi
 10 psi = 0.069 MPa (0.69 bar)

1 kW = 3413 BTU
 1000 BTU = 0.293 kW

CERTUSS Dampfautomaten GmbH & Co. KG
 Hafenstr. 65 · 47809 Krefeld
 Telefon +49 (0)2151 578-0 · Telefax +49 (0)2151 578-102
 Internet: www.certuss.com · e-mail: verkauf@certuss.com

